

Fig. 1

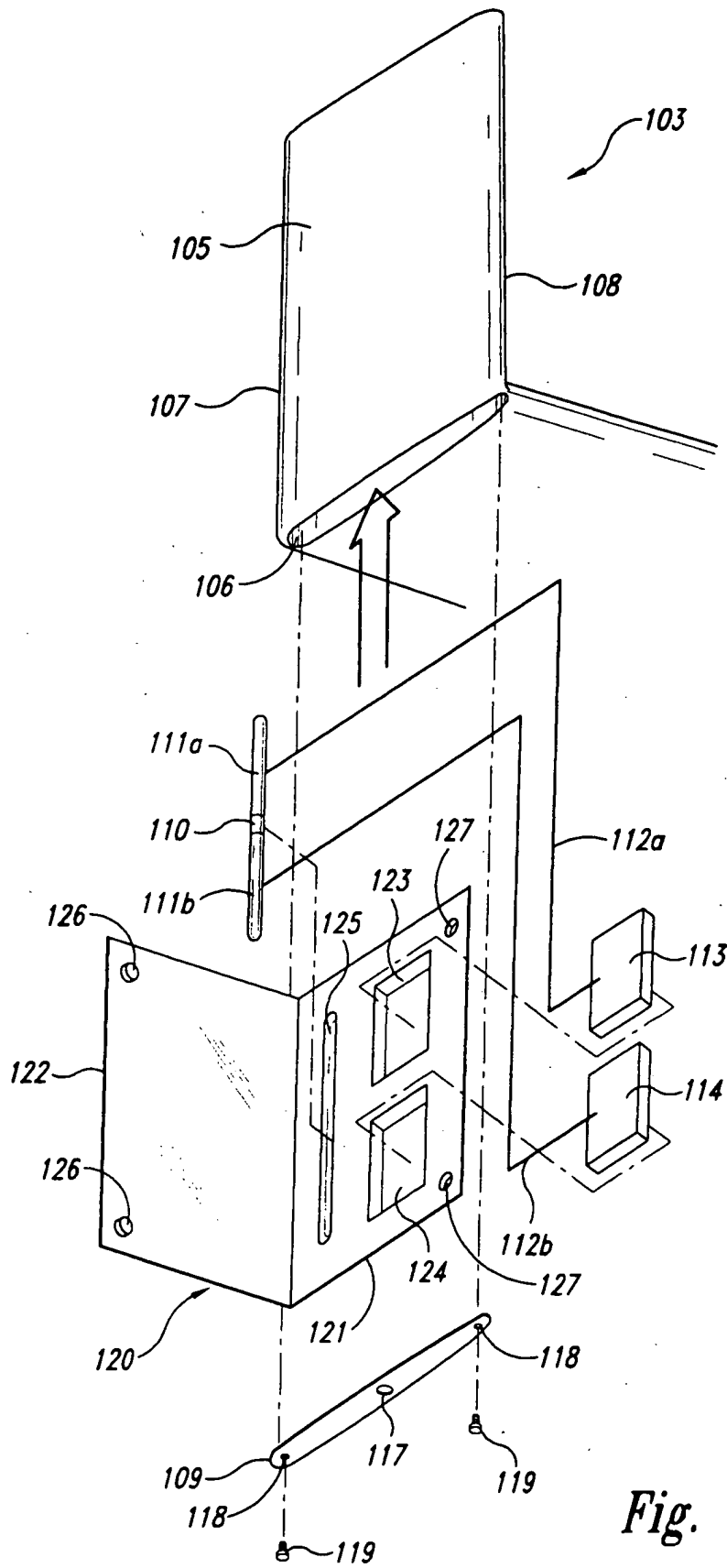
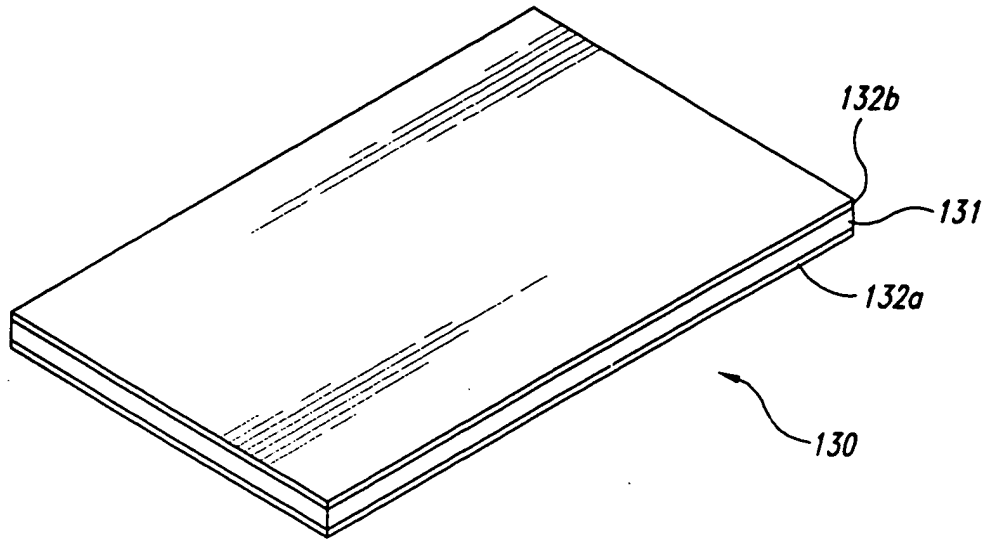
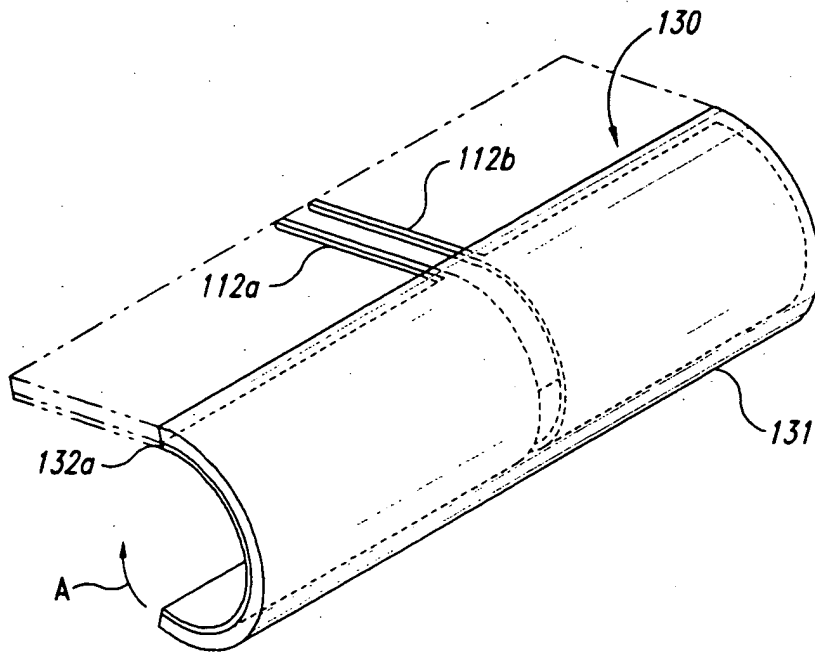


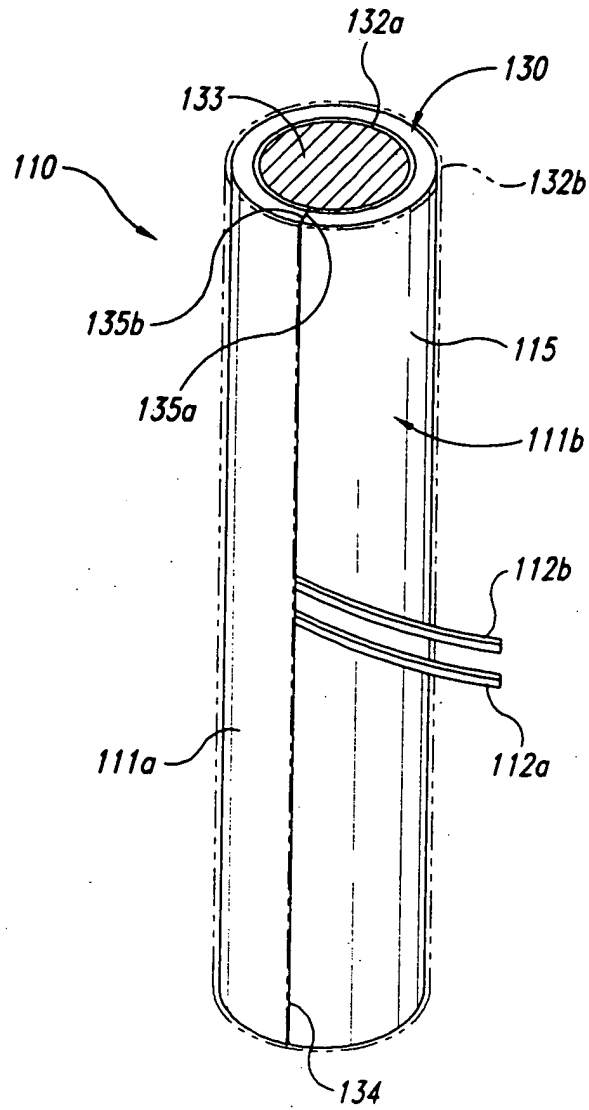
Fig. 2



*Fig. 3*



*Fig. 4*



*Fig. 5*

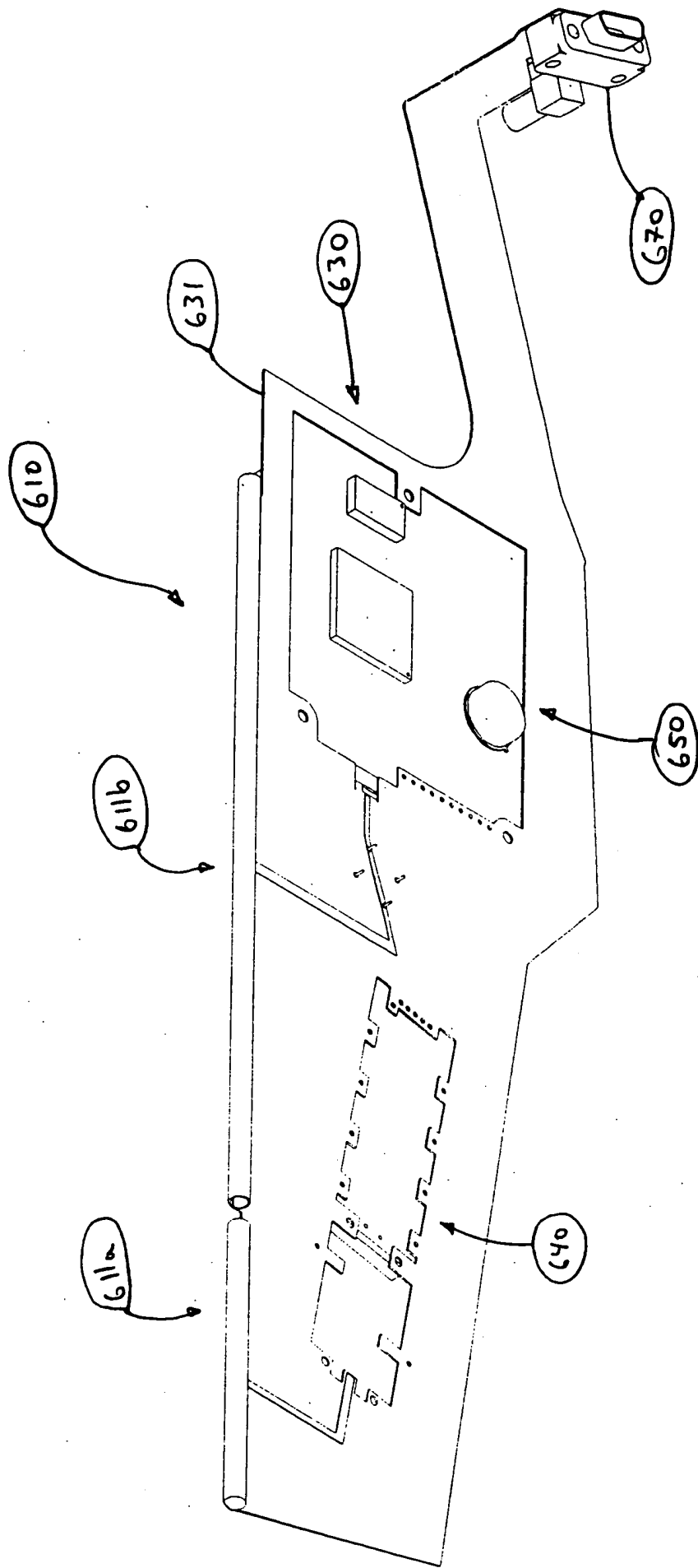


Fig. 6

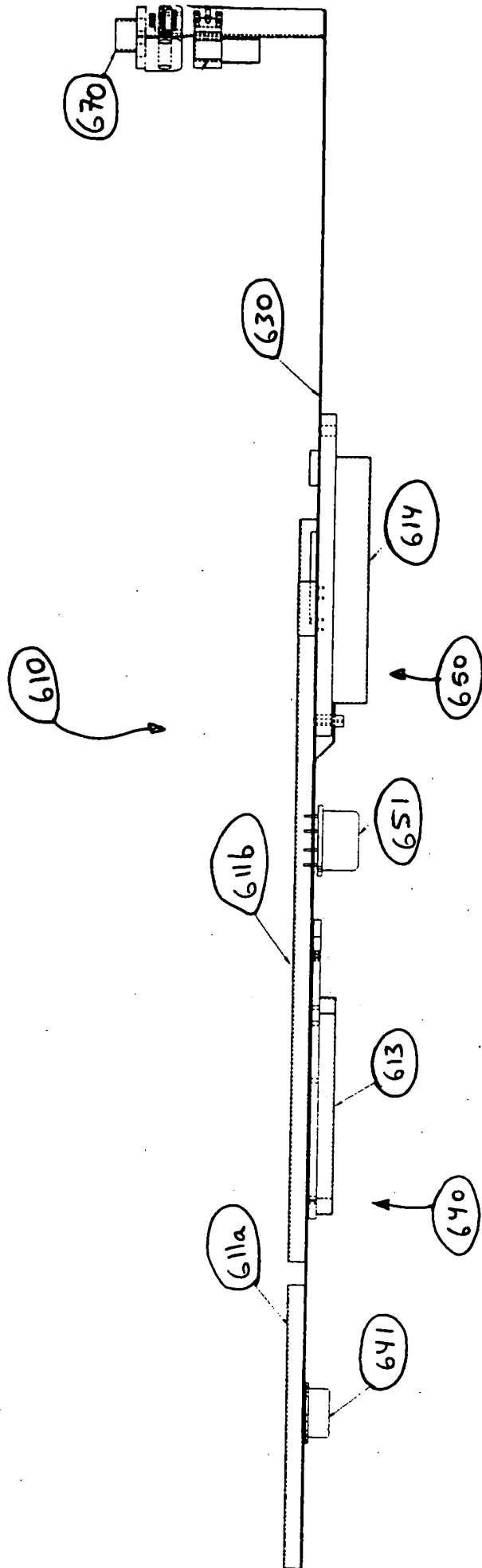


Fig. 7

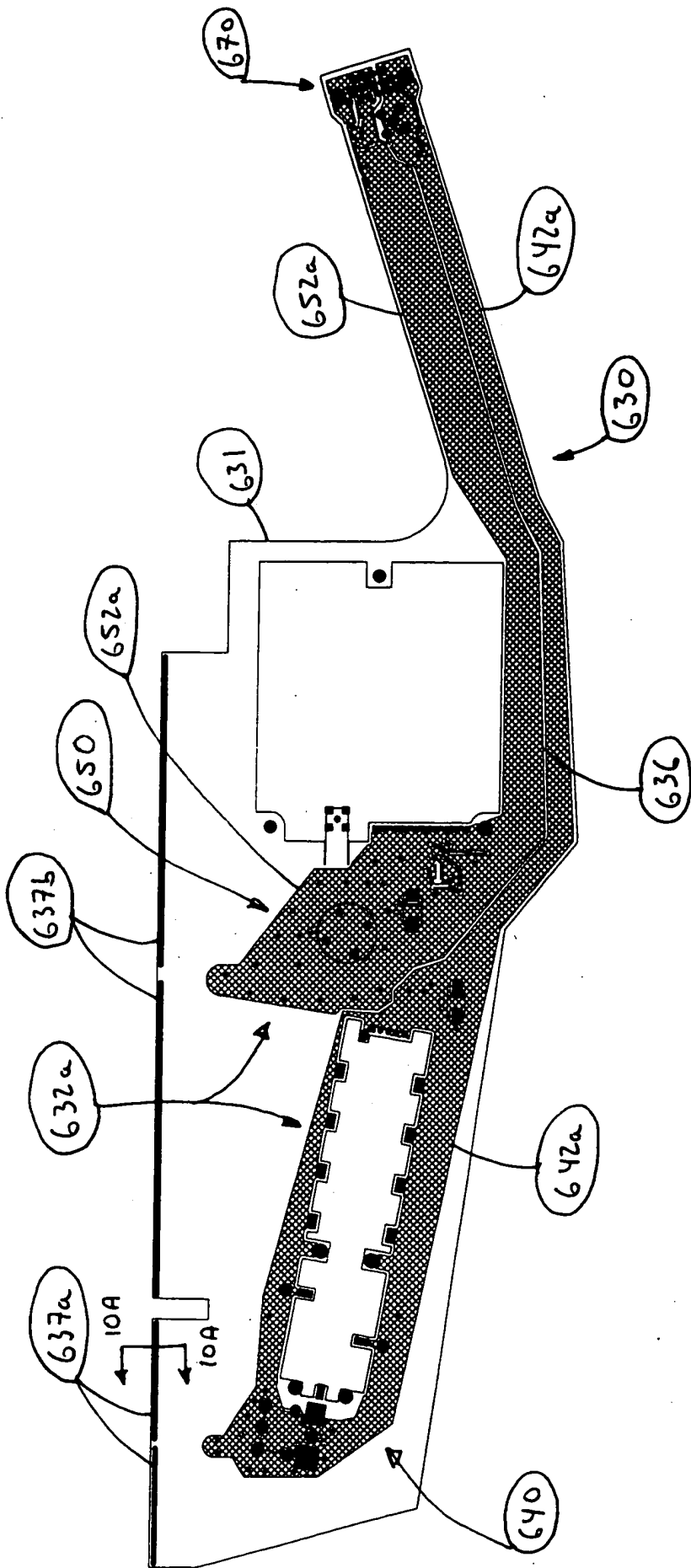


Fig. 8

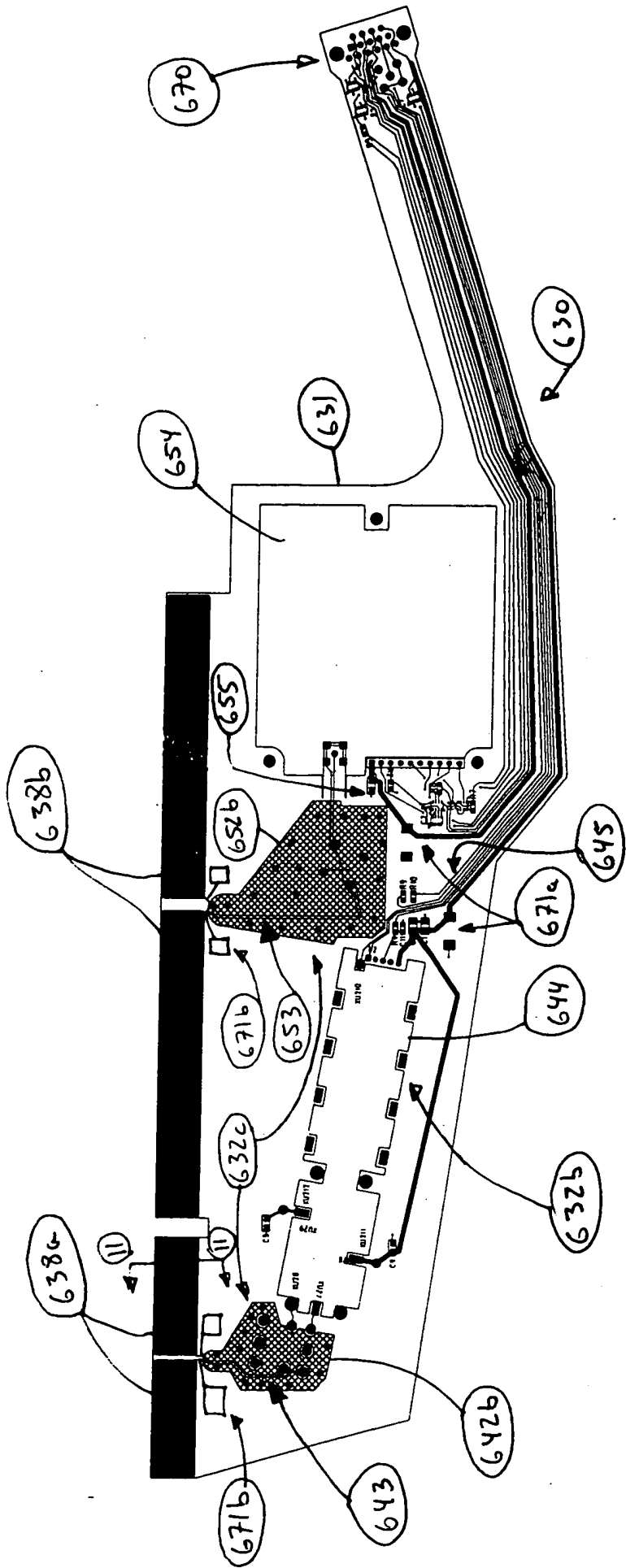


Fig. 9



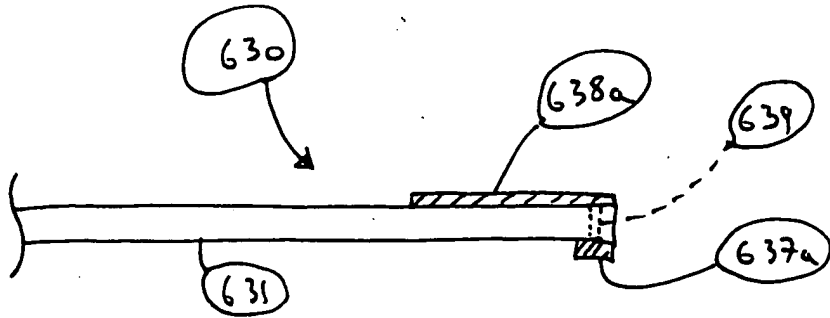


Fig. 10A

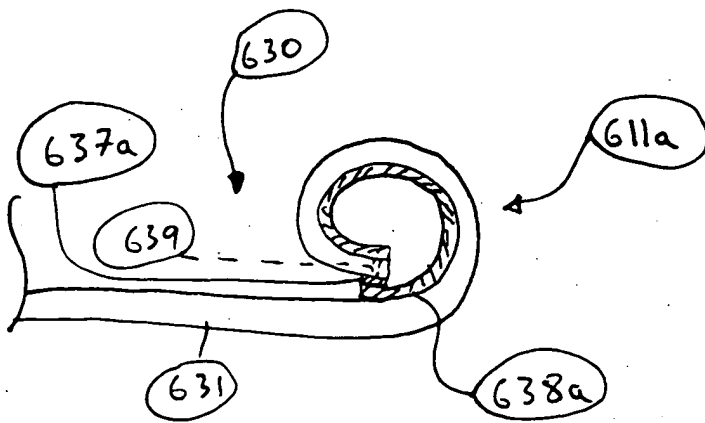
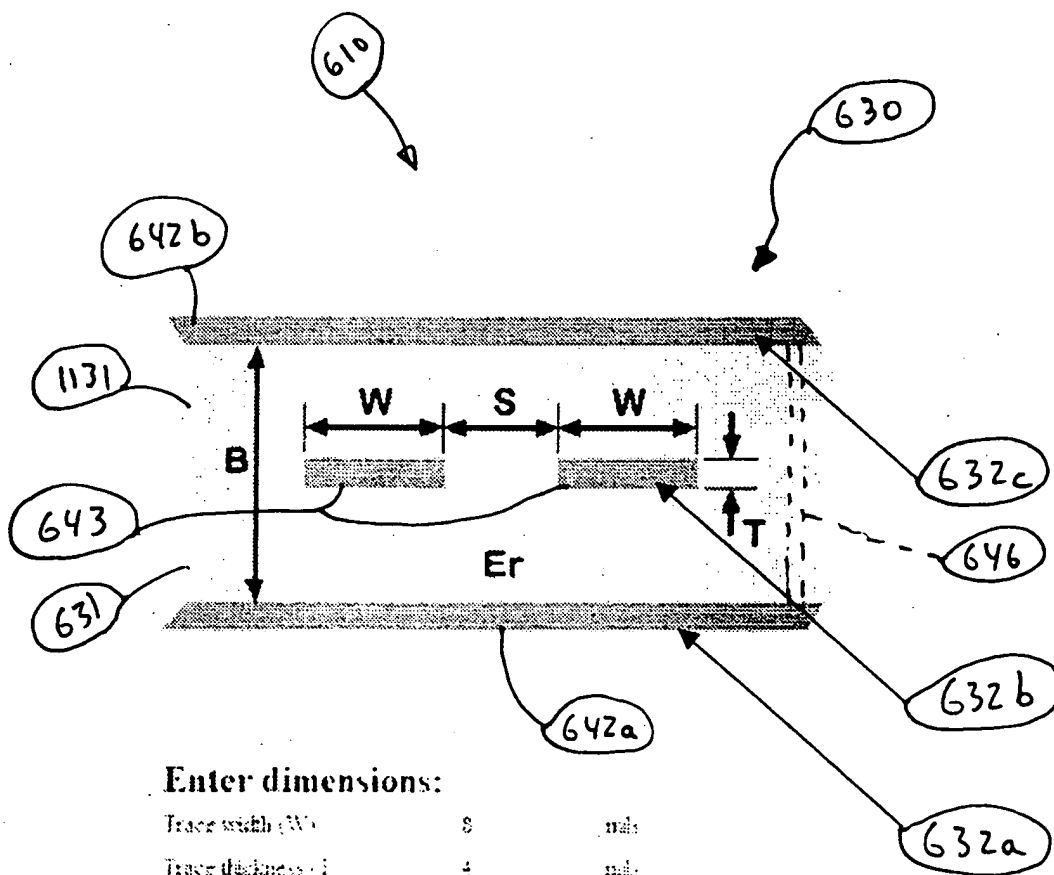


Fig. 10B

Fig. 11



**Enter dimensions:**

Trace width (W)	8	mil
Trace thickness (t)	4	mil
Trace spacing (S)	20	mil
Distance between planes (B)	14	mil
Relative Dielectric constant (Er)	3.5	
<input type="button" value="Compute Z"/>		
Differential Trace Impedance	62.5	ohms